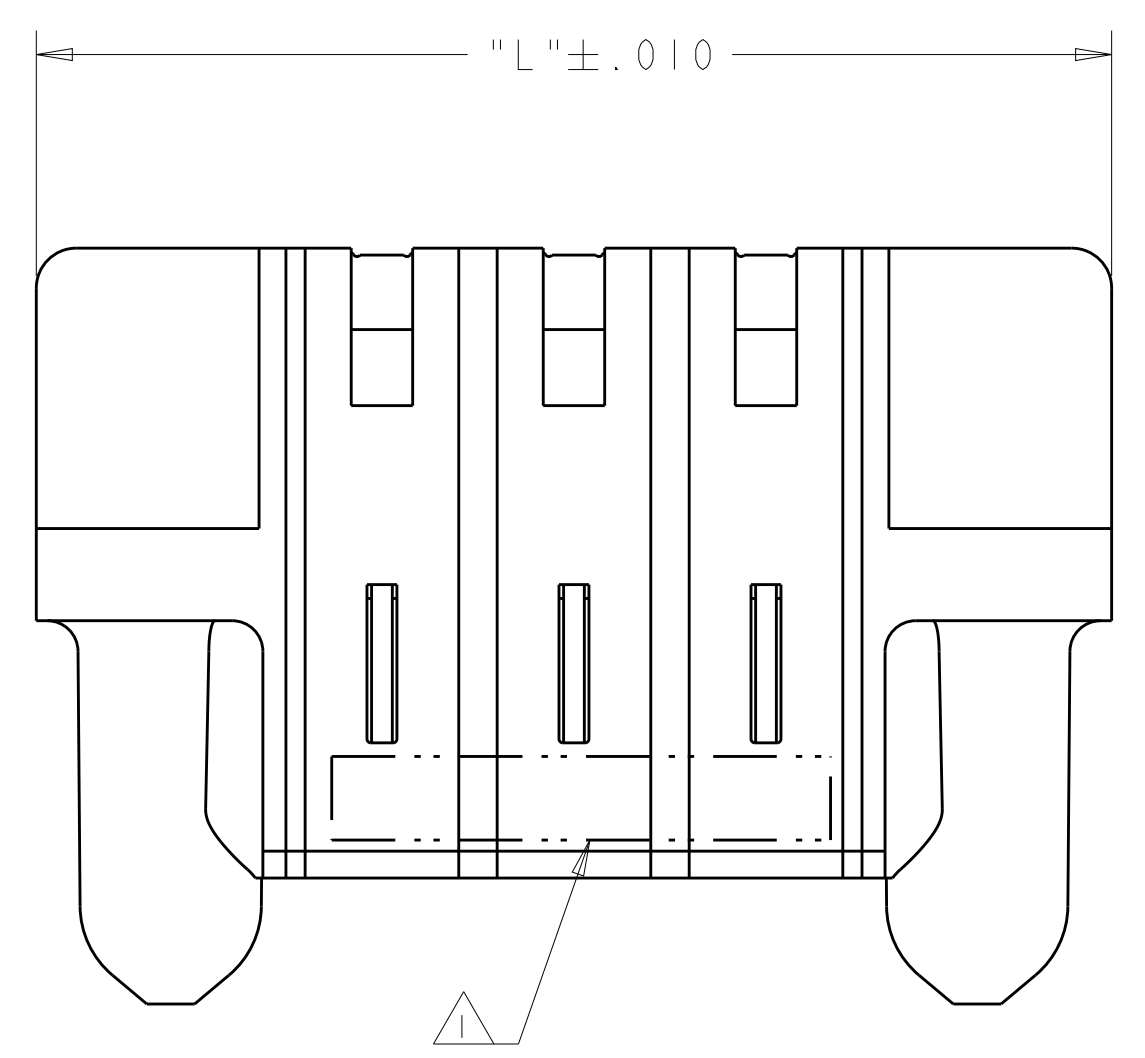
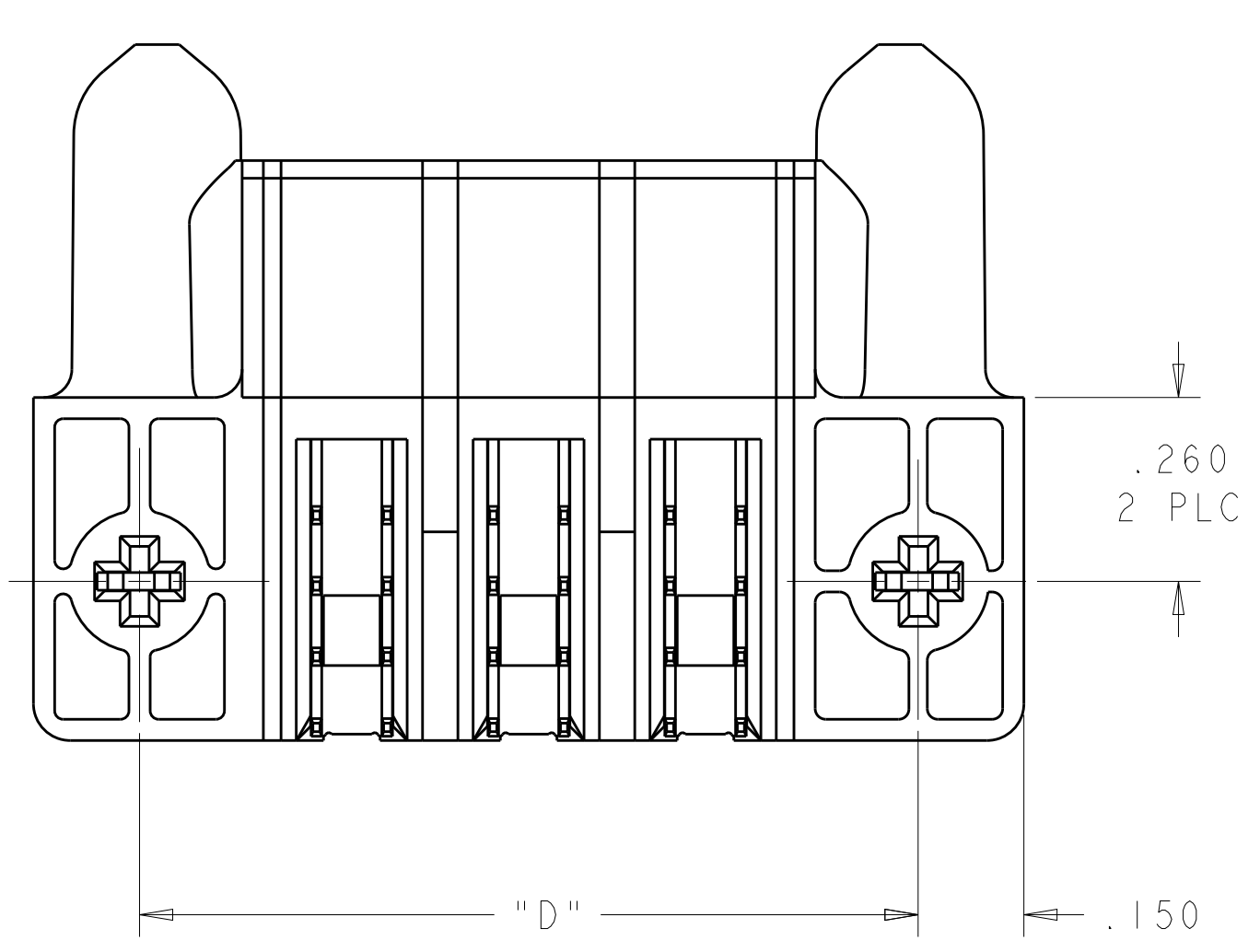
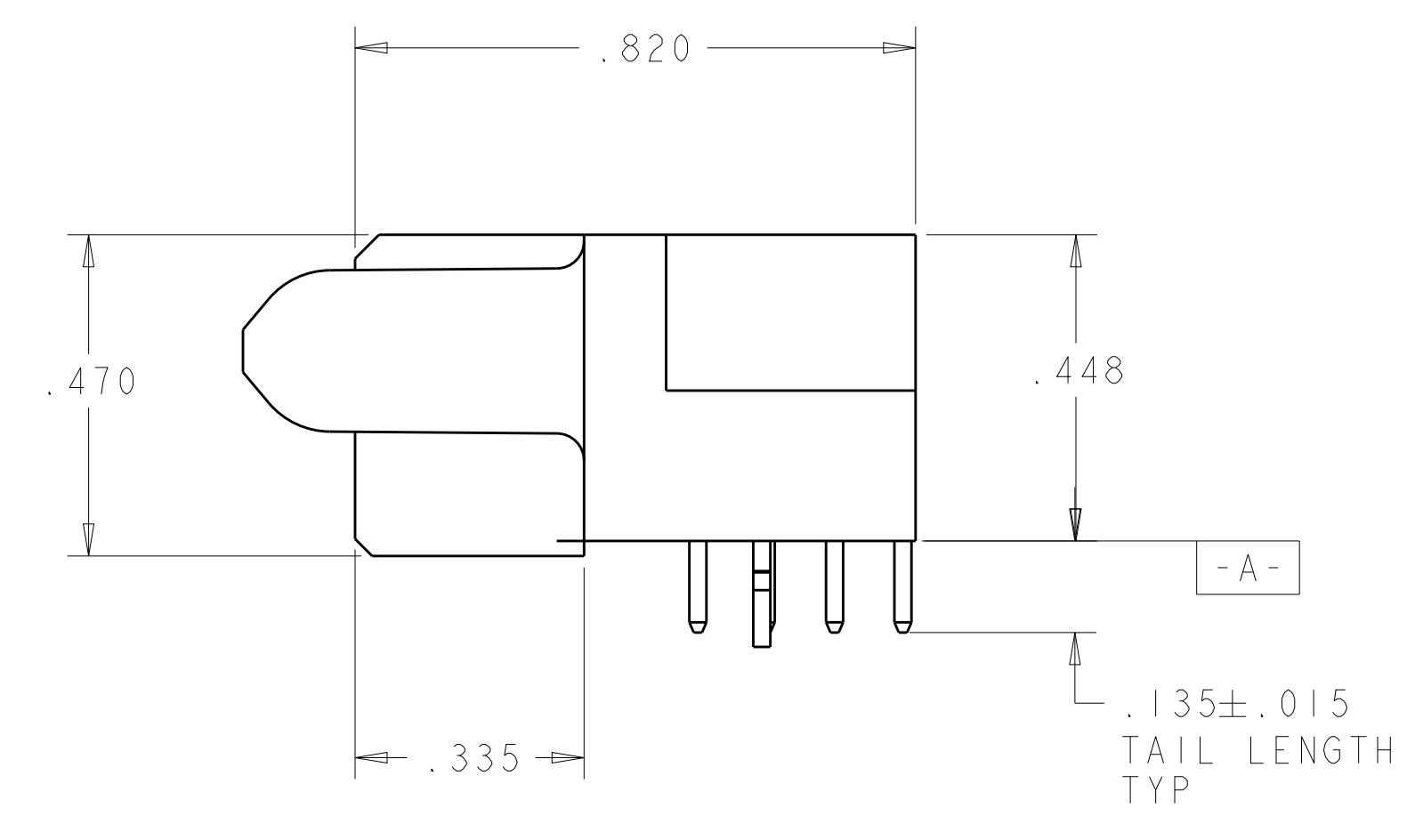
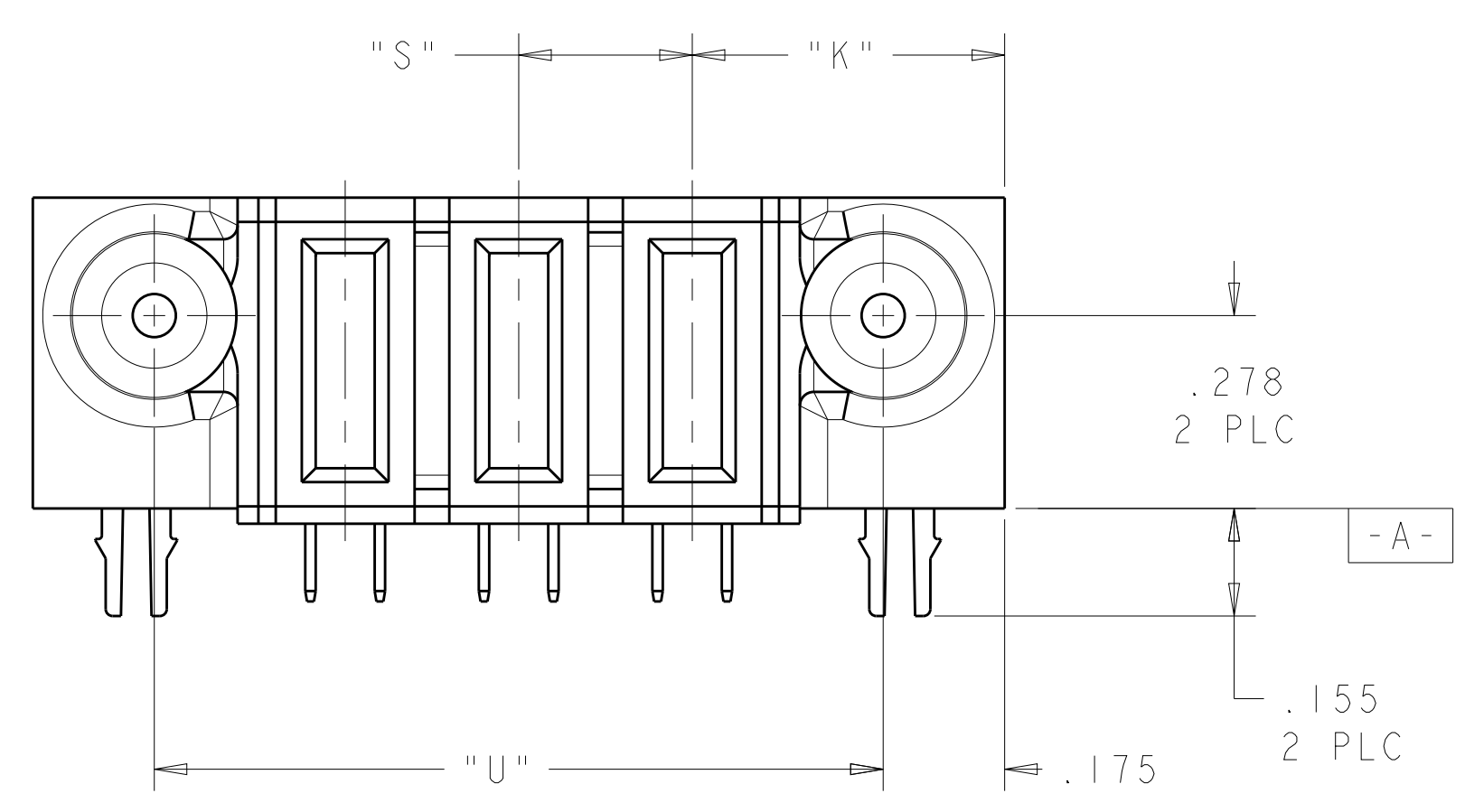


LOC	DIST	REVISIONS					
		P	LTN	DESCRIPTION	DATE	DWN	APVD
GP	00	A		REV PER 0512-0650-04	21FEB2005	RG	MP
		A1		ADVISED	15FEB2013	ML	SZ
		A2		ADD -4	23DEC2014	CZ	SZ
		A3		REVISED -4	CZ	SZ	



- 1 "AMP", PART NUMBER AND DATE CODE TO BE MARKED IN AREA SHOWN. PARTS UNDER 2.000 MAY BE MARKED ON BOTH SIDES.
- 2 MATERIAL: HOUSING - GLASS FILLED HIGH TEMP THERMO PLASTIC, UL94 V-0. POWER CONTACT - HIGH CONDUCTIVITY COPPER ALLOY
- 3 CONTACT PLATING: NOBLE METAL PLATING ON CONTACT FUNCTIONAL AREA OF POWER AND SIGNAL CONTACTS
- 4 MECHANICAL CONNECTOR KEEP OUT ZONE.
- 5 DATUM AND BASIC DIMENSIONS ESTABLISHED BY CUSTOMER.
- 6 PCB - ALL HOLE DIAMETERS ARE FINISHED HOLE SIZES.
- 7 PCB - .0453 +/- .0010 DRILLED HOLES PLATED WITH .0003 MIN Sn OVER .001 TO .003 PLATING TO ACHIEVE A .040 DIA. HOLE.



.200	3.750	3.800	4.100	.450	17P	6450163-4
.250	2.300	2.350	2.650	.450	8P	6450163-2
.250	1.050	1.100	1.400	.450	3P	6450163-1
"S"	"U"	"D"	"L"	"K"	DESCRIPTION	PART NUMBER

THIS DRAWING IS A CONTROLLED DOCUMENT. DWN: R. GRZYBOWSKI 21FEB05
 CHK: M. PERCHERKE 21FEB05
 APVD: M. PERCHERKE

DIMENSIONS: INCHES
 TOLERANCES UNLESS OTHERWISE SPECIFIED:
 0 PLC ±
 2 PLC ±.01
 3 PLC ±.005
 4 PLC ±.0020
 ANGLES ±.0020
 FINISH: 2, 3

MATERIAL: 2, 3

Customer Drawing

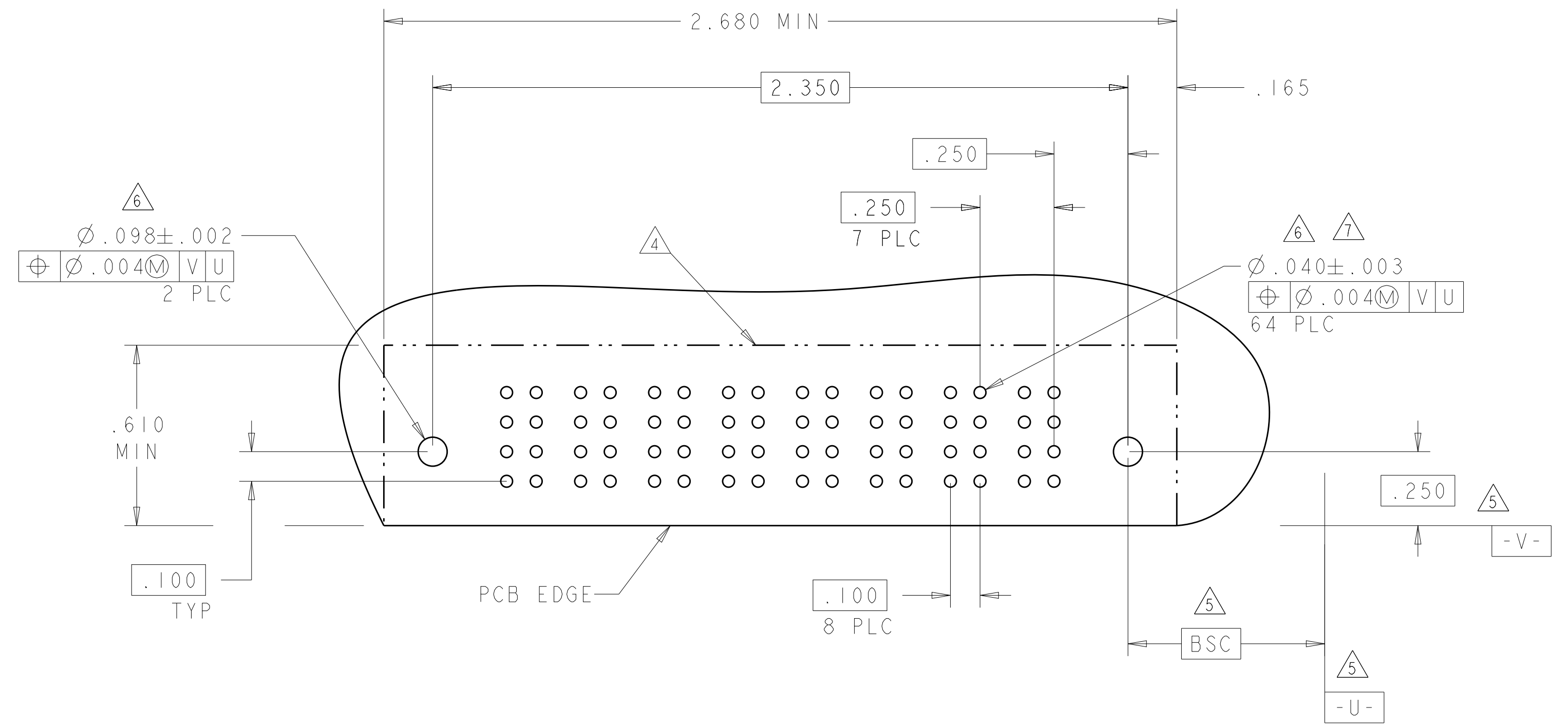
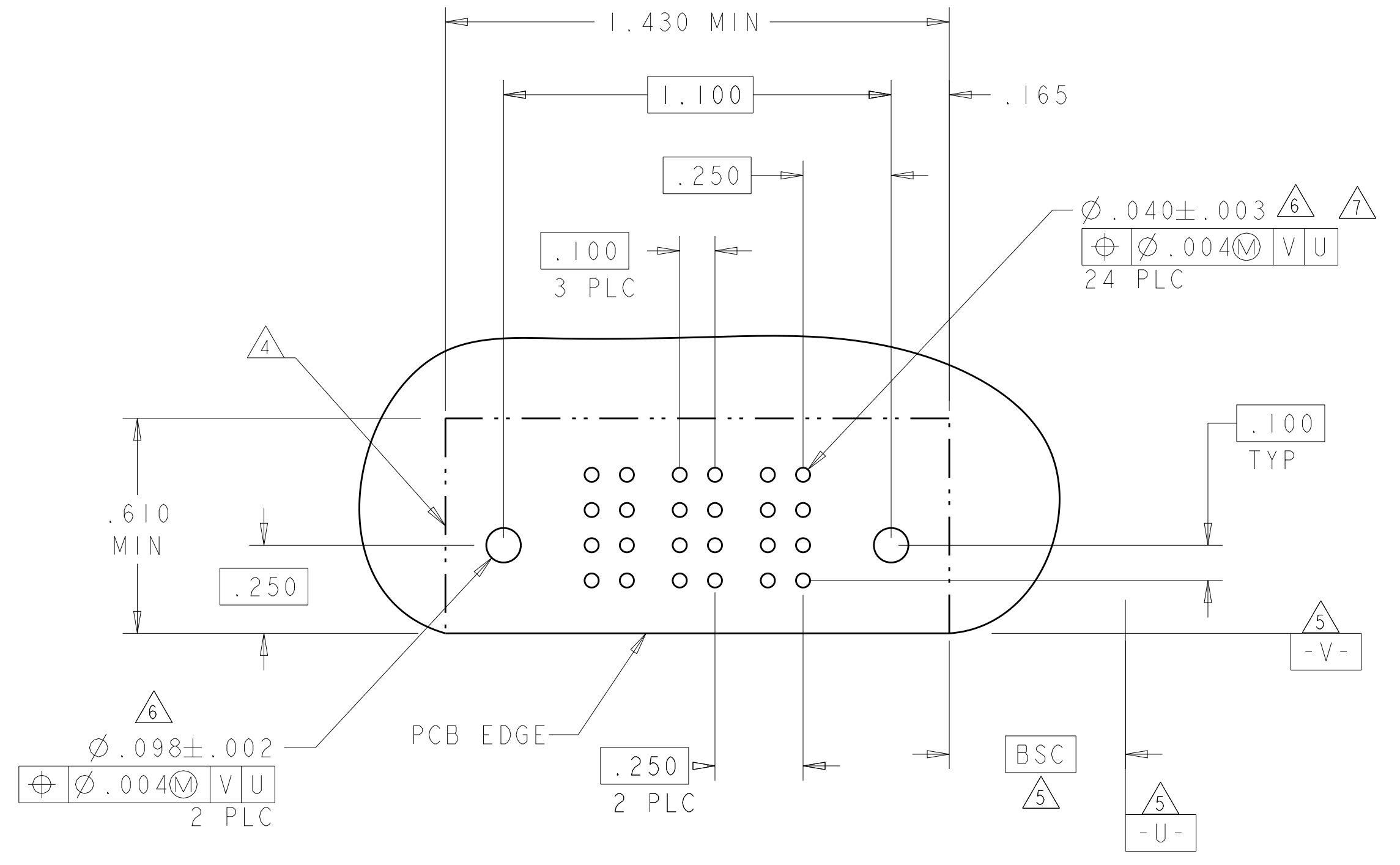
SCALE: 4:1 SHEET 1 OF 2 REV: A3

STE TE Connectivity
 NAME: RIGHT ANGLE RECEPTACLE ASSEMBLY WITH GUIDES MULTI-BEAM XL
 PRODUCT SPEC: 108-1973
 APPLICATION SPEC: 114-13038
 SIZE: A1
 CAGE CODE: 6450163
 DRAWING NO: 100779

LOC		DIST		REVISONS			
GP	00	P	LYR	DESCRIPTION	DATE	DMN	APVD
		-		SEE SHEET 1			

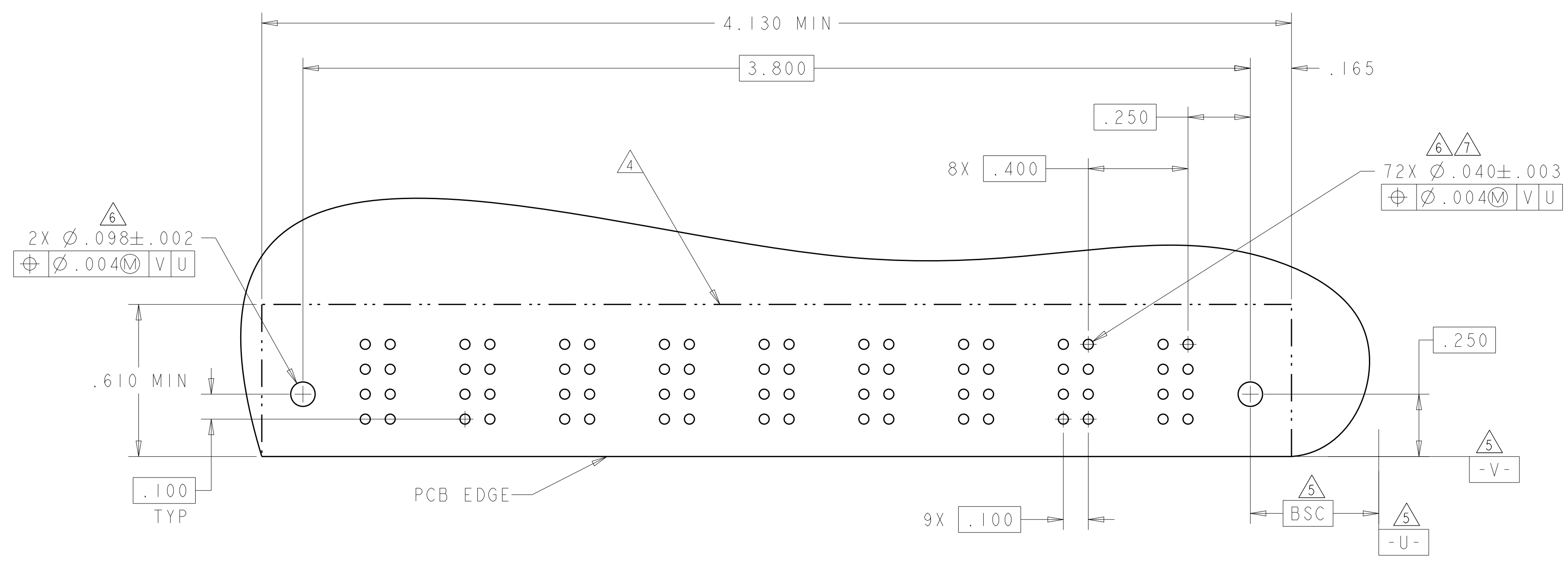
PART NUMBER	ROWS	POWER		
		P3	P2	P1
6450163-1	D C B A	RA	RA	RA
3P		HD		HD

PART NUMBER	ROWS	POWER							
		P8	P7	P6	P5	P4	P3	P2	P1
6450163-2	D C B A	RA	RA	RA	RA	RA	RA	RA	RA
8P		HD							HD



PART NUMBER	ROWS	POWER																
		PI7	PI6	PI5	PI4	PI3	PI2	PI1	PI0	P9	P8	P7	P6	P5	P4	P3	P2	P1
6450163-4	D C B A	RA	RM	RM	RM	RM	RM	RM	RM	RM	RM	RM	RM	RM	RM	RM	RM	RM
17P		HD																HD

NO CONTACTS LOADED



CODE	TAIL LENGTH	TYPE
RM	.135	STD
RA	.135	MFBL
POWER CONTACT		

THIS DRAWING IS A CONTROLLED DOCUMENT.

DIMENSIONS: INCHES	TOLERANCES UNLESS OTHERWISE SPECIFIED:	DMN: R. GRZYBOWSKI	21FEB05
0 PLC ±.01	1 PLC ±.01	CHK: M. PERCHERKE	21FEB05
2 PLC ±.01	3 PLC ±.01	APVD: M. PERCHERKE	
4 PLC ±.005	5 PLC ±.005	NAME: R. GRZYBOWSKI	
ANGLES ±.0020	FINISH: #2	PRODUCT SPEC: 108-1973	
		APPLICATION SPEC: 114-13038	
		WEIGHT: -	
		Customer Drawing	

SCALE: 1:1 SHEET 2 OF 2 REV A3